

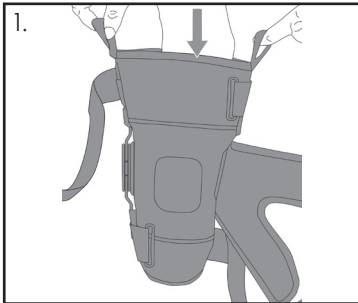
# Velocity Patella Stabilizer

## Warnings and Instructions: Review carefully, proper application is required

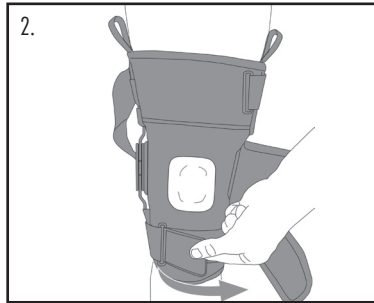
**⚠ Warning:** This device will not prevent or eliminate risk of injury. Do Not Overtighten. If swelling, pain, skin irritation, or an unusual reaction occurs, discontinue use immediately and consult your medical professional.

This device should not be worn by persons with known allergies to neoprene.

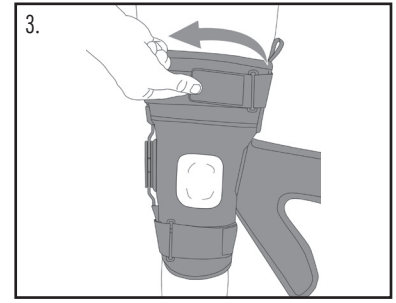
Care: Hand wash using mild soap. Rinse thoroughly. Air dry only. Do not tumble dry.



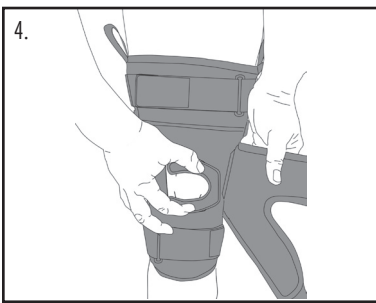
1. Loosen all straps and pull brace onto leg.



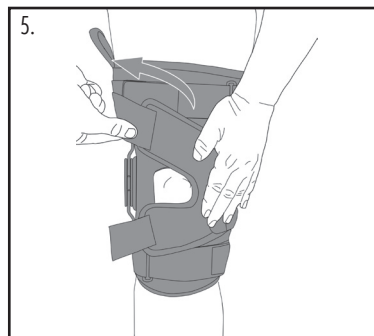
2. Pull lower leg strap through D-ring and secure.



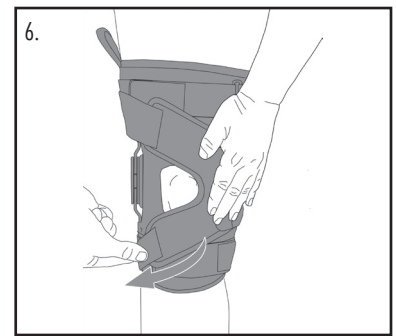
3. Pull upper leg strap through D-ring and secure.



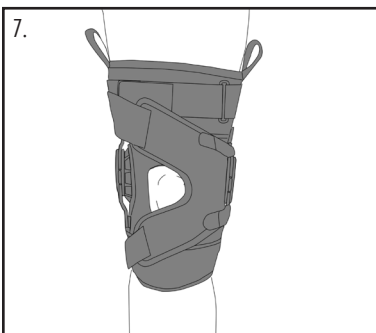
4. Place patella buttress on patella where support is needed. Hold buttress in place.



5. Maintain position of buttress while pulling and fastening upper patella flap strap.

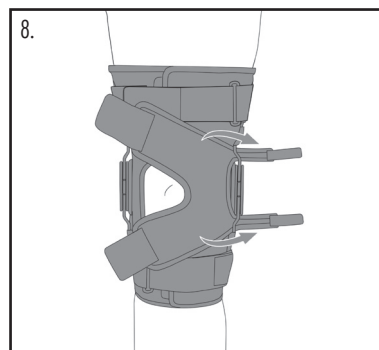


6. Pull and fasten lower patella flap strap.

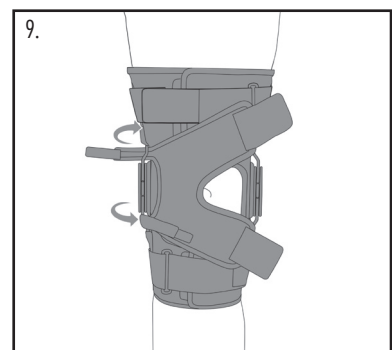


7. Completed application.

### OPTIONAL: Reversing patella stabilizing flap to opposite side



8. Detach flap hook from around hinge strut, and remove flap from brace.



9. Re-attach flap by wrapping hook closures around hinge struts on opposite side.  
Pull flap snug against hinge.  
Attach hook and loop closures near edges of flap.

**See Instructions on How  
to Adjust the Hinges  
Range of Motion  
on Back**

**HELY & WEBER**

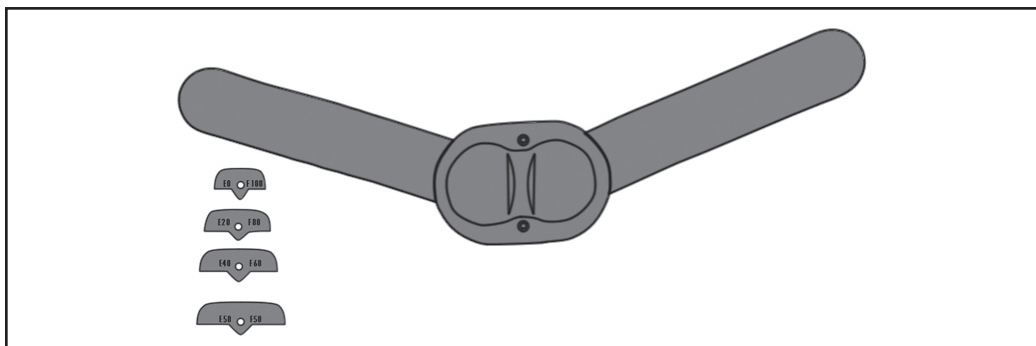
© 2016 Weber Orthopedics Inc.  
DBA Hely & Weber all rights reserved

1185 E Main St., Santa Paula, California 93060  
California: 800-221-5465, National: 800-654-3241  
International: 805-525-4244, fax: 805-933-2348  
U.S. fax: 800-559-5975, www.hely-weber.com

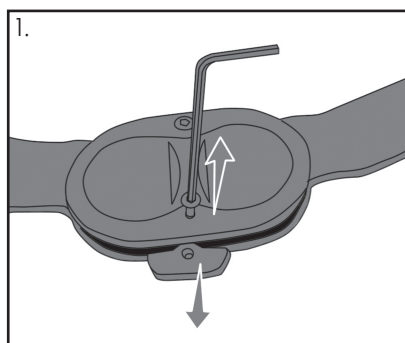
**CE**  
[EC] [REP]

MDSS GmbH, Schiffgraben 41  
30175 Hannover, Germany

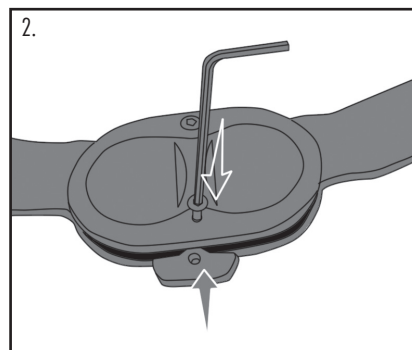
# Range of Motion Hinge Stop Application



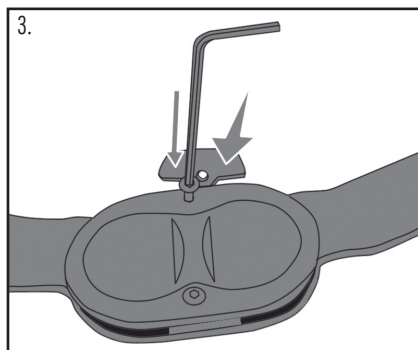
Extension stops are available in 10 degree increments from 0 to 50 degrees.  
Flexion stops are available in 10 degree increments from 50 to 100 degrees.  
Each stop has two numbers on the front for the degree of flexion (F) or the degree of extension (E) based on which side of the hinge the stop is used.



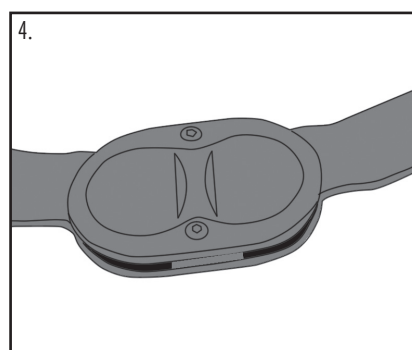
1. Use the included hex wrench to remove the existing hinge stops by removing the screws on both the extension stop side and flexion stop side of the hinge cover.



2. Choose the stop with the desired degrees of extension and install it on the extension stop side of the hinge. Be careful not to overtighten the screw and strip the hole.



3. Choose the stop with the desired degrees of flexion and install it on the flexion stop side of the hinge. Be careful not to overtighten the screw and strip the hole.



4. Completed application.

Note: Set both the medial and lateral hinges to the same flexion and extension.